
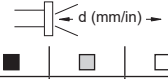


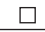


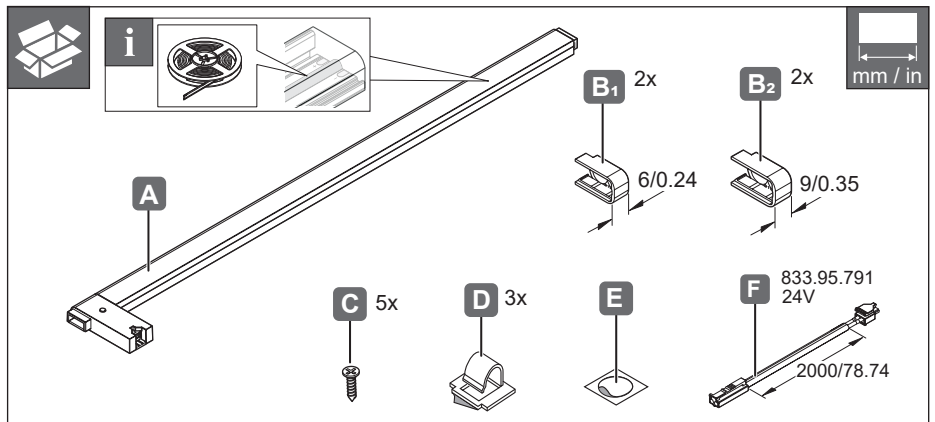
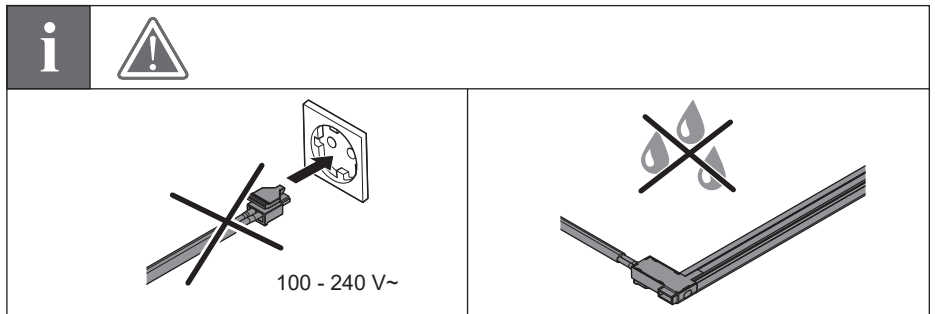


LED 3110

833.76.280 833.76.283
 833.76.281 833.76.284
 833.76.282 833.76.285

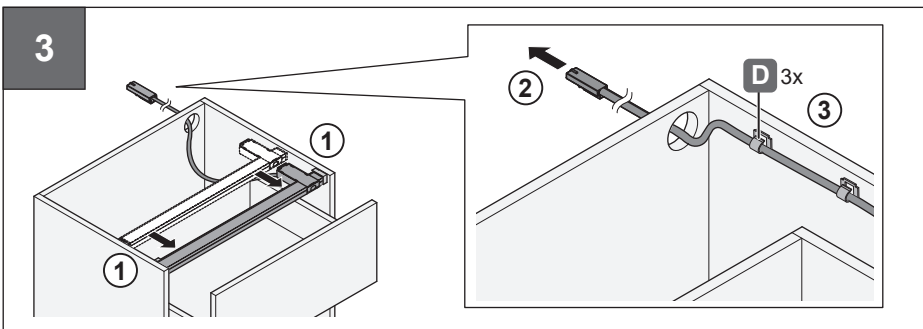
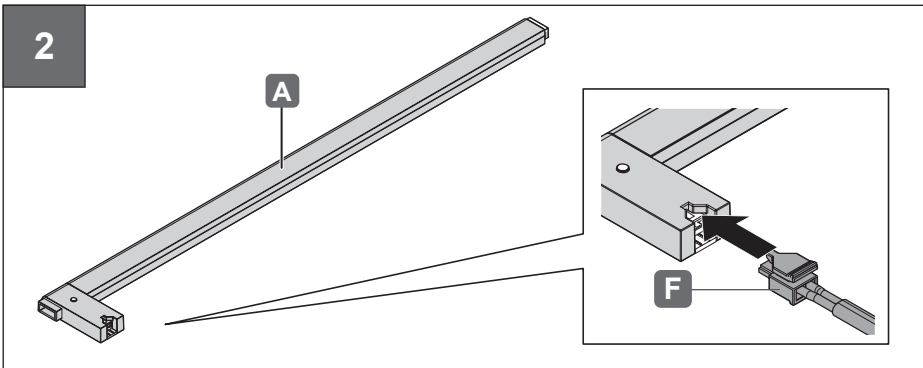
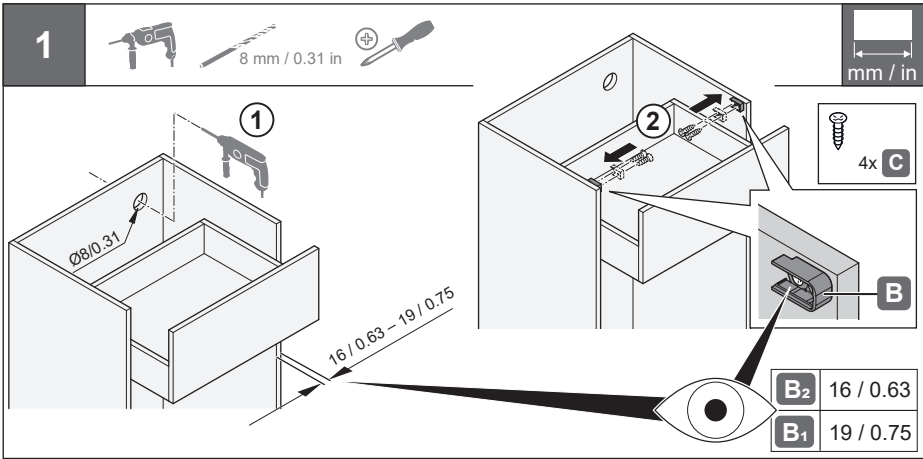
	V	K	W	Energy consumption sensor	 mm/in	 d (mm/in) →	T _A
833.76.280	24V	2700K – 5000K	3.8W	0.2W	408x16x9 / 16x0.63x0.35	 0–10 / 0–0.39  0–15 / 0–0.59  0–30 / 0–1.18	-20°C – +45°C -4°F – +113°F
833.76.281			4.0W		458x16x9 / 18x0.63x0.35		
833.76.282			5.0W		558x16x9 / 22x0.63x0.35		
833.76.283			7.0W		758x16x9 / 30x0.63x0.35		
833.76.284			8.0W		858x16x9 / 33.7x0.63x0.35		
833.76.285			9.0W		958x16x9 / 37.72x0.63x0.35		

732.28.412



[WS247]

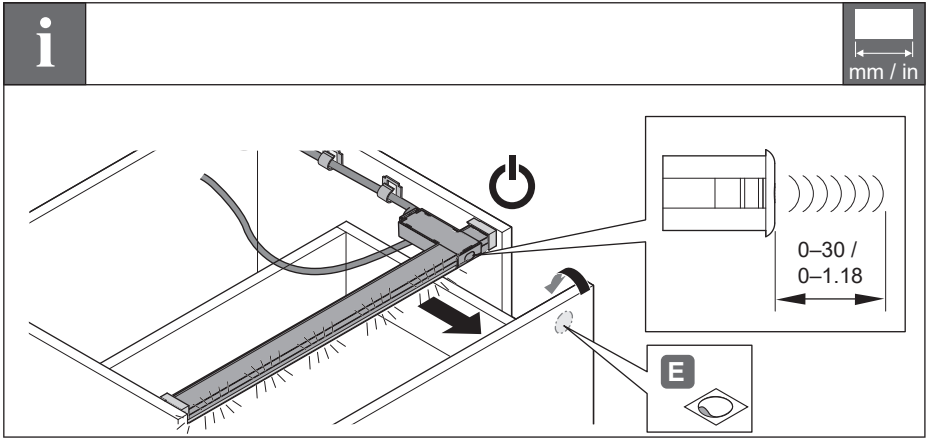
HDE 24.02.2025



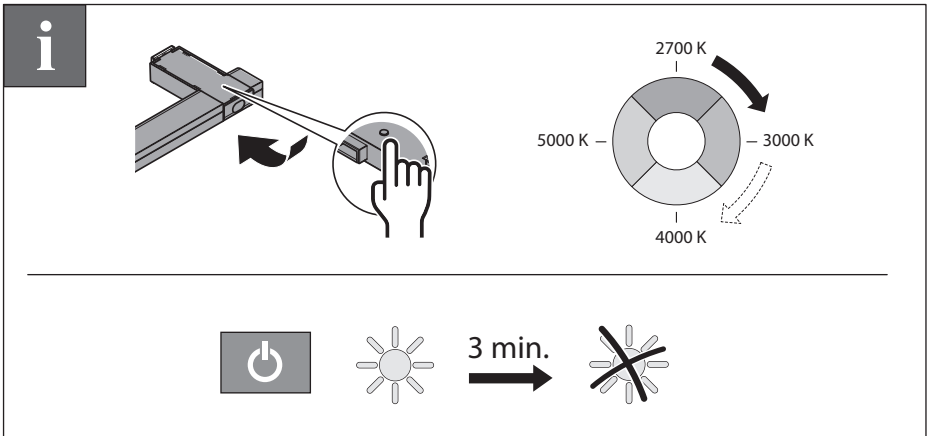
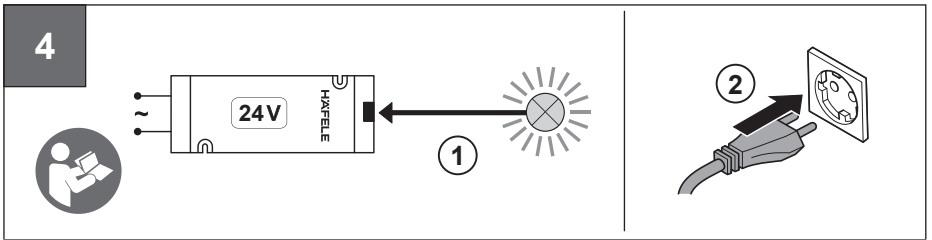
732.28.412

[WS247]

HDE 24.02.2025



732.28.412



[WS247]

HDE 24.02.2025

732.28.412

HDE 24.02.2025